

# FAR

# magazine 2018

flow evolution



**UNDERFLOOR HEATING SYSTEMS**



**RENEWABLE ENERGY SYSTEMS**



**CENTRAL HEATING**



**RADIATOR SYSTEMS**



**DOMESTIC SERVICES**



[www.far.eu](http://www.far.eu)

# compactFAR Dirt separator

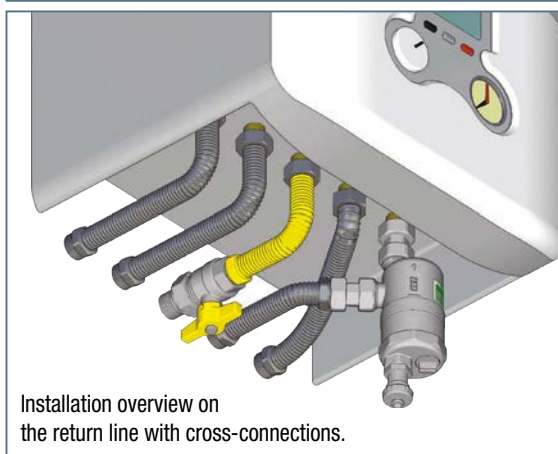
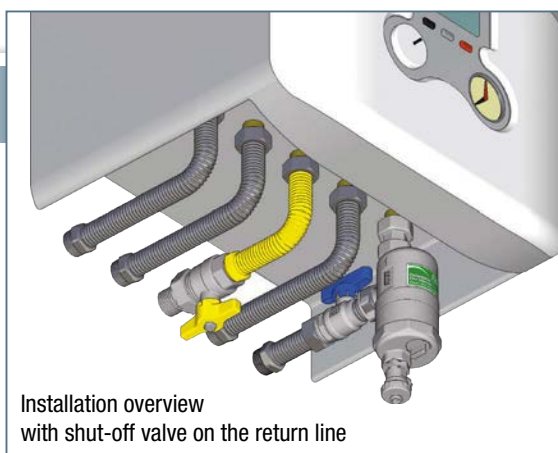
## compactFAR with angled connection

Art.2273

Art.2274

Art.2275

The new CompactFar dirt separator has been designed to protect domestic boilers from any impurities which can be found in the heating system. The internal cartridge allows to separate from water the impurities and the ferrous particles which could damage the boiler. The impurities can be flushed by removing the magnetic insert.

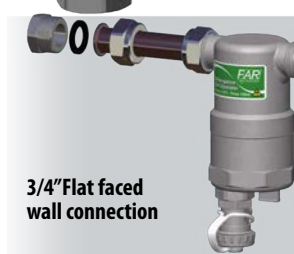
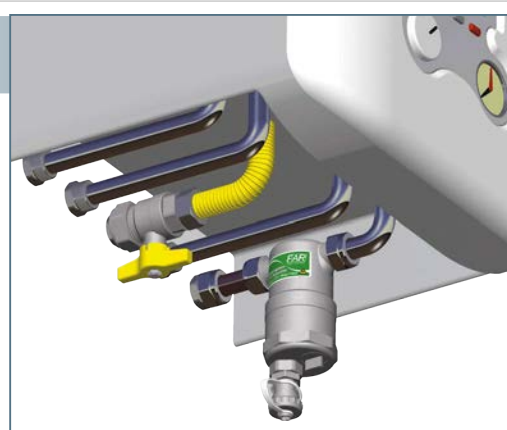


## compactFAR with straight line connections

Art.2278

Art.2277

Art.2279



# Components for central heating



**Smart**  
Orientabile  
Versatile  
Compatte  
Magnetico


**Dirt separator**  
*Smart*

95

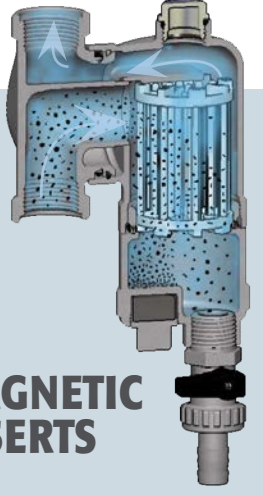
145



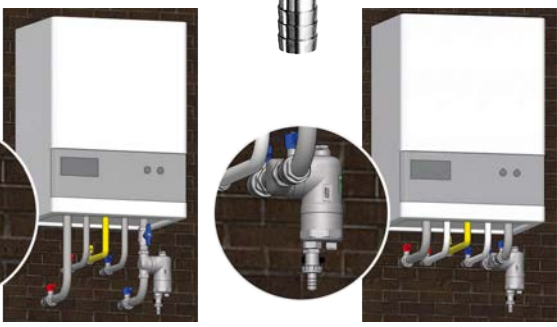
Art.2272



Art.2271  
Complete with  
shut-off valves





**MAGNETIC INSERTS**



The swivelling dirt separator can be installed on the pipeline in either vertical or horizontal position, as the part with threaded connections can rotate through 360° around its own axis.

**DIRT SEPARATORS**

Art.2200
Art.2241

**COMBIFAR**




Art.2231

**DEAERATORS**




Art.2250
Art.2258

The range of FAR dirt separators and deaerators offers a wide choice of articles:

- Fixed and swivelling connections (according to the versions)
- Dirt separators with or without magnetic inserts
- Equipped with insulation
- Combined dirt separators-deaerators

Sizes:  
Threaded: 3/4" - 1" - 1" 1/4 - 1" 1/2 - 2" (according to the versions)  
Flanged: DN50 - DN65 - DN80 - DN100 (according to the versions)

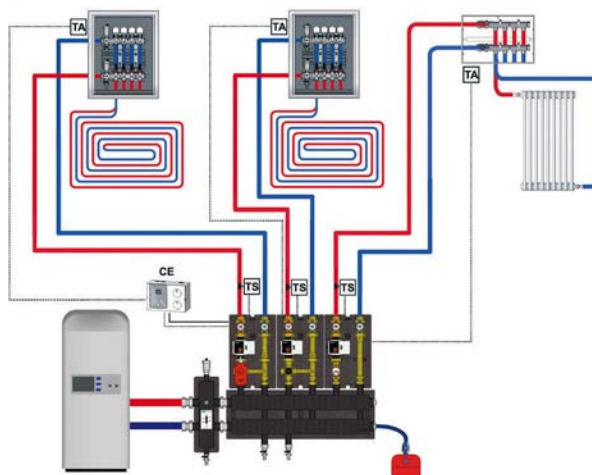
# Systems for central heating

FAR offers a wide range of products designed for small and medium central heating systems. All booster units feature 1" connections and are equipped with high efficiency pump with 6, 7 or 8m.



**Art.2171**

Booster unit for high temperature, complete with pump and insulation.



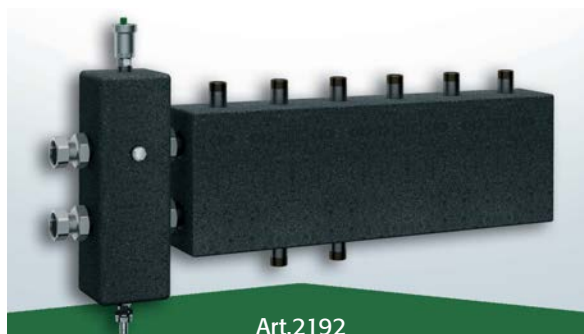
**Art.2177**

Booster unit for high temperature complete with 4 shut-off valves, differential by-pass, pump and insulation.



**Art.2174**

Set point booster unit, complete with thermostatic mixer, pump and insulation.



**Art.2192**

Distribution unit for central heating, complete with 1"1/4 hydraulic separator and manifold, suitable for use with up to four booster units.



**Art.2178**

Set point booster unit, complete with thermostatic mixer, 4 shut-off valves, differential by-pass, pump and insulation.



**Art.2176**

Booster unit, complete with mixing valve with 3-point actuator, pump and insulation.



**Art.9611**

Temperature control unit preset for climatic operation, complete with delivery probe and external probe.



**Art.3012**

New version with 0-10V actuator.



**Art.2164**

Hydraulic separator complete with flanged connections and insulation. Available sizes: DN50, DN65, DN80, DN100. Complete with drain cock and automatic air vent valve.

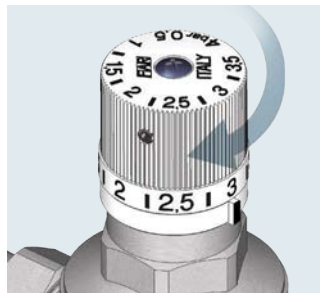


**Art.2179**

Booster unit, complete with mixing valve, 4 shut-off valves, differential by-pass, pump and insulation.

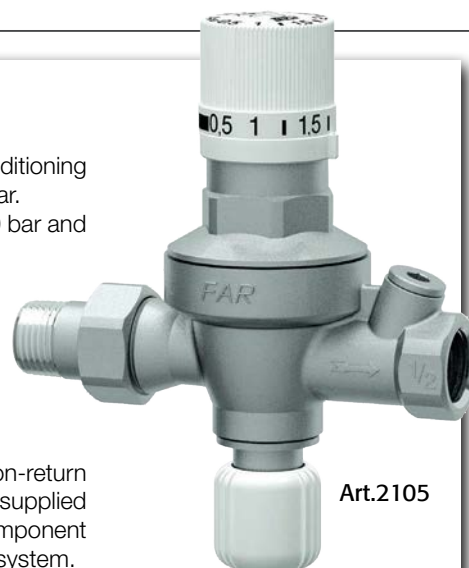
## New automatic filling unit

Installation of the new automatic filling unit is recommended for heating and air-conditioning systems. Such a device is able to fill the system up to a pressure between 0,5 and 4 bar. It is equipped with 1/2" connections and it stands a maximum upstream pressure of 10 bar and a maximum temperature of 95°C.



Turn the handle in the upper section of the device in order to set the pressure, until you reach the desired value. An anti-tampering locking screw is located on the handle side.

The automatic filling unit is equipped with stop cock, non-return valve and pressure gauge connection. The device is supplied with a strainer to grant a better functioning of the component and to stop any impurities which can be found in the system.



Art.2105

## Zone valves

New range of stop valves, available in 3/4" or 1" size. The Art. 3085 is equipped with a presetting system for the regulation of Kv and two probe seatings.



Art.3087

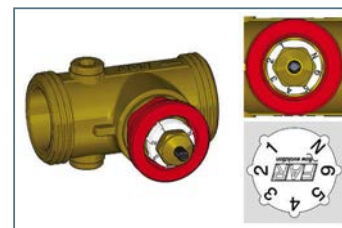


Art.3088



Art.3085

This kind of valves is suitable for the installation of the electric actuators Art. 1909-1919-1914-1924



FAR ball zone valves complete with actuators. Available from 1/2" to 2" size.



Art.300715-300815



Art.300520-300620



Art.300125-300225



Art.303915-304015



Art.307080-307180

## Anti-condensation valve

The FAR anti-condensation valve, art. 3966, prevents condensation into systems with solid fuel heat generators

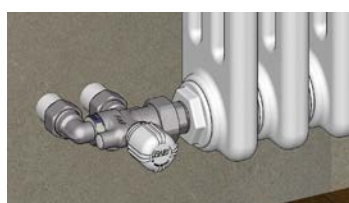
AVAILABLE SETTINGS: 45°C - 55°C - 60°C - 70°C	
size	Kv [m <sup>3</sup> /h]
3/4"	3,9
1"	3,9
1"	11,3
1" 1/4	12,2

MALE CONNECTIONS  
COMPLETE WITH  
UNIONS



Art.3966

# Single/double pipe thermostatic valves with adjustable centre line



The single/double pipe thermostatic valves with adjustable centre line are suitable for installation into new and existing systems. Available with 40-50 mm and 48-65 mm centre line in 1/2", 3/4" and 1" size.



## Thermostatic head

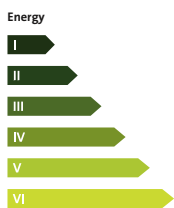
The new FAR thermostatic head, art. 1828, allows to adjust the room temperature from 7 to 28°C.

It is equipped with an integrated liquid sensor and a selector to limit or block the adjustment on the desired value.

For an easy installation, the head is equipped with a practical quick-coupling system.

**TELL**  
Thermostatic Efficiency Label

Manufacturer FAR S.p.A.  
Product 1828  
Reg.-No. 10622-20170504



www.tell-online.eu  
A label of EUnited Valves  
European Valve Manufacturers Association



Keymark certification

Energy Classification



**TELL**  
Thermostatic Efficiency Label

## Design valves



# Top FAR

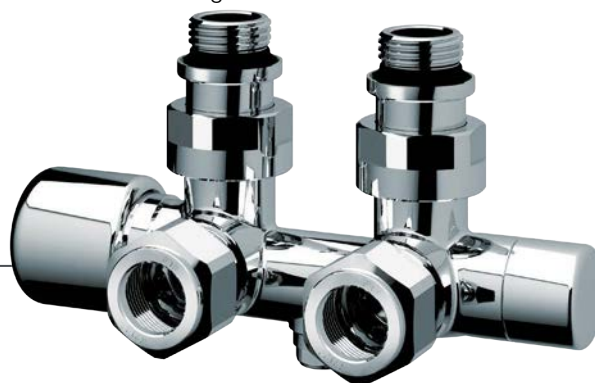
*a touch of class for your home!*

To meet the new market trends, FAR offers a new range of design valves with a glossy chrome finish for radiators with 50 mm centre line connections. They are single/double pipe thermostatic valves with adjustable by-pass to meet the most different system requirements.

They are available in straight or angled version, with FAR 24x19 and Eurokonus connections and with 1/2" terminal provided with gasket or with swiveling nut.



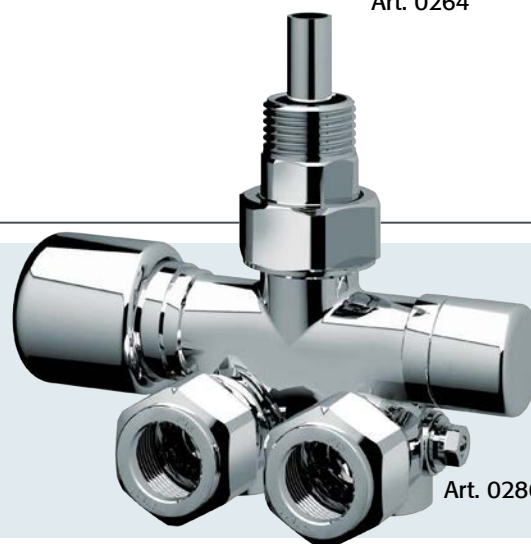
Art. 0266



Art. 0264

For design radiators with standard connections, FAR offers a single/double pipe thermostatic angled valve, in the right-hand or left-hand version, with FAR 24x19 connection and 1/2" connection to radiator with probe.

This version is available with a glossy chrome finish.



Art. 0286



Art. 0108P

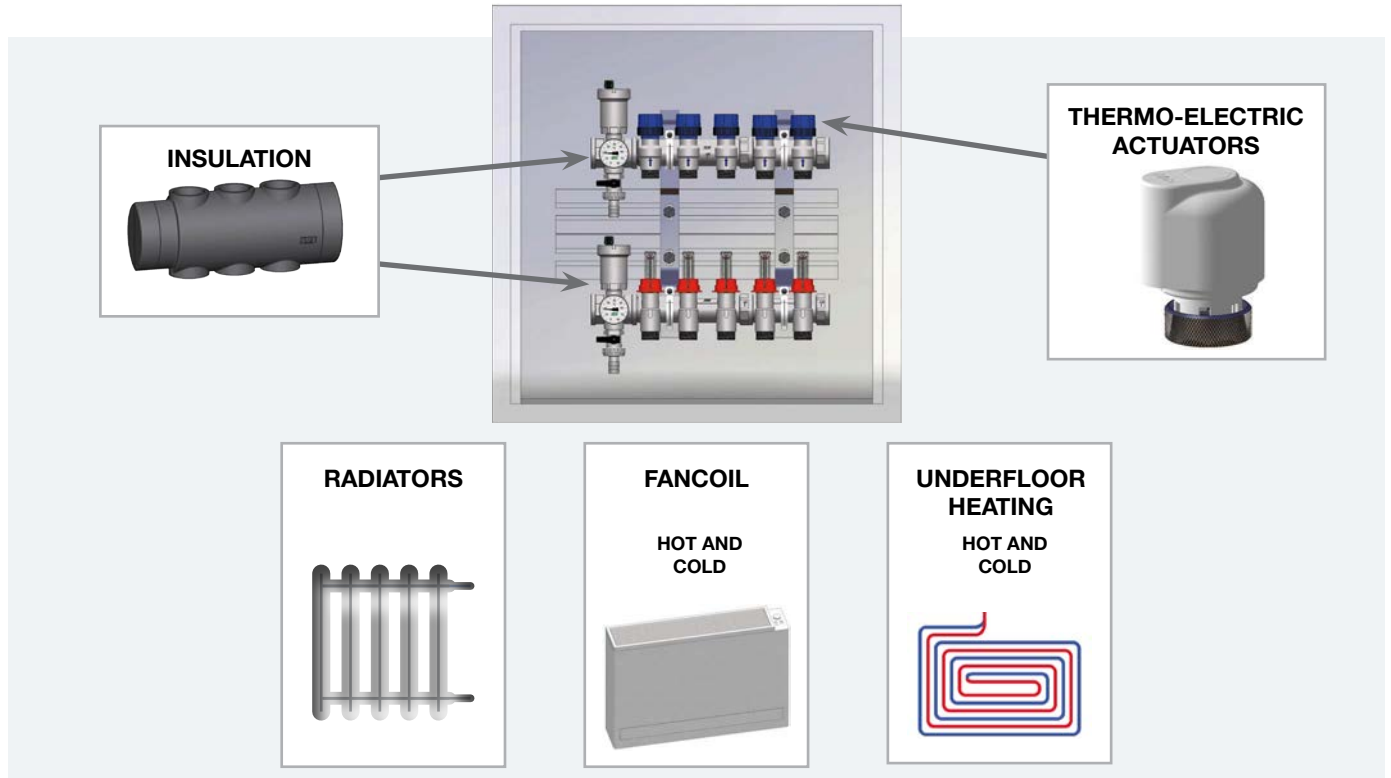
Art. 0109P

The TOP series is completed with thermostatic valves and lockshield valves for traditional applications. They are available in straight, angled and right/left-hand version, in 3/8" and 1/2" size with gasket, with iron or FAR 24x19 connection.

These versions are available in a glossy chrome or white/chrome finish.

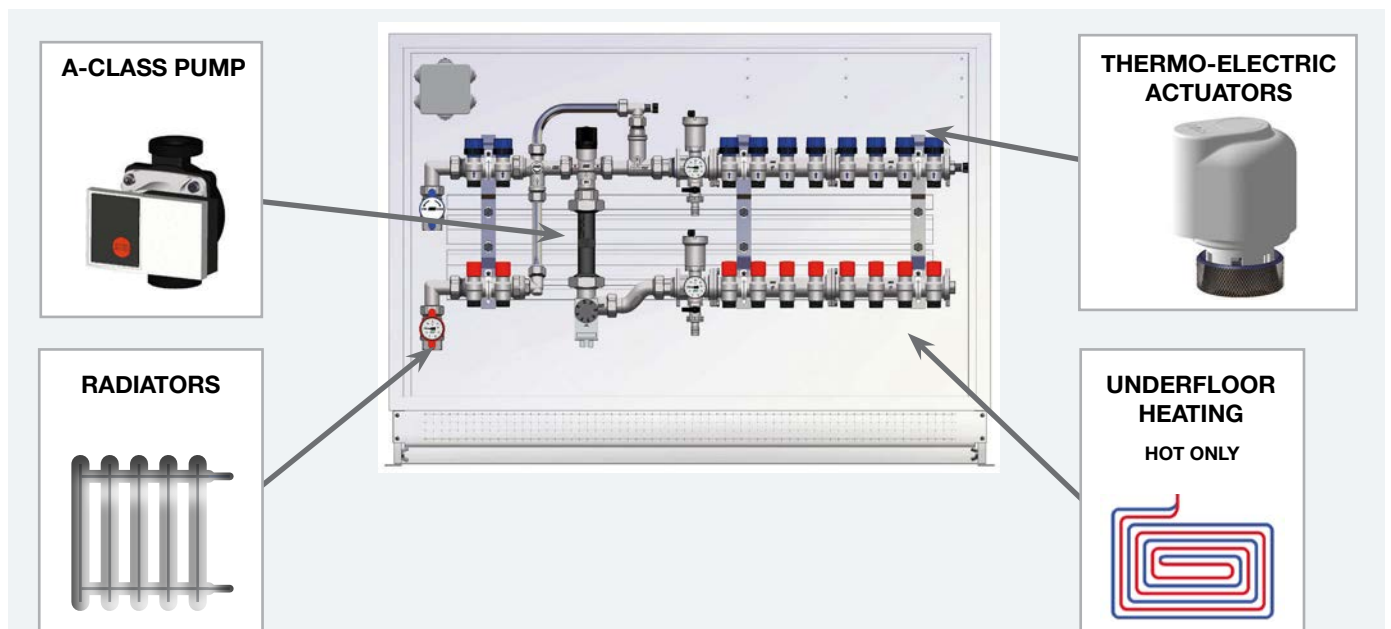
## Thermo-Electric Manifolds

This kind of manifolds is suitable in case of heating systems with radiators or in case of underfloor and/or fan coils heating and cooling systems. The system can be divided in different areas by installing thermo-electric actuators on each manifold outlet. Insulation shells to cover the manifolds are available, if needed.



## Set point regulating unit

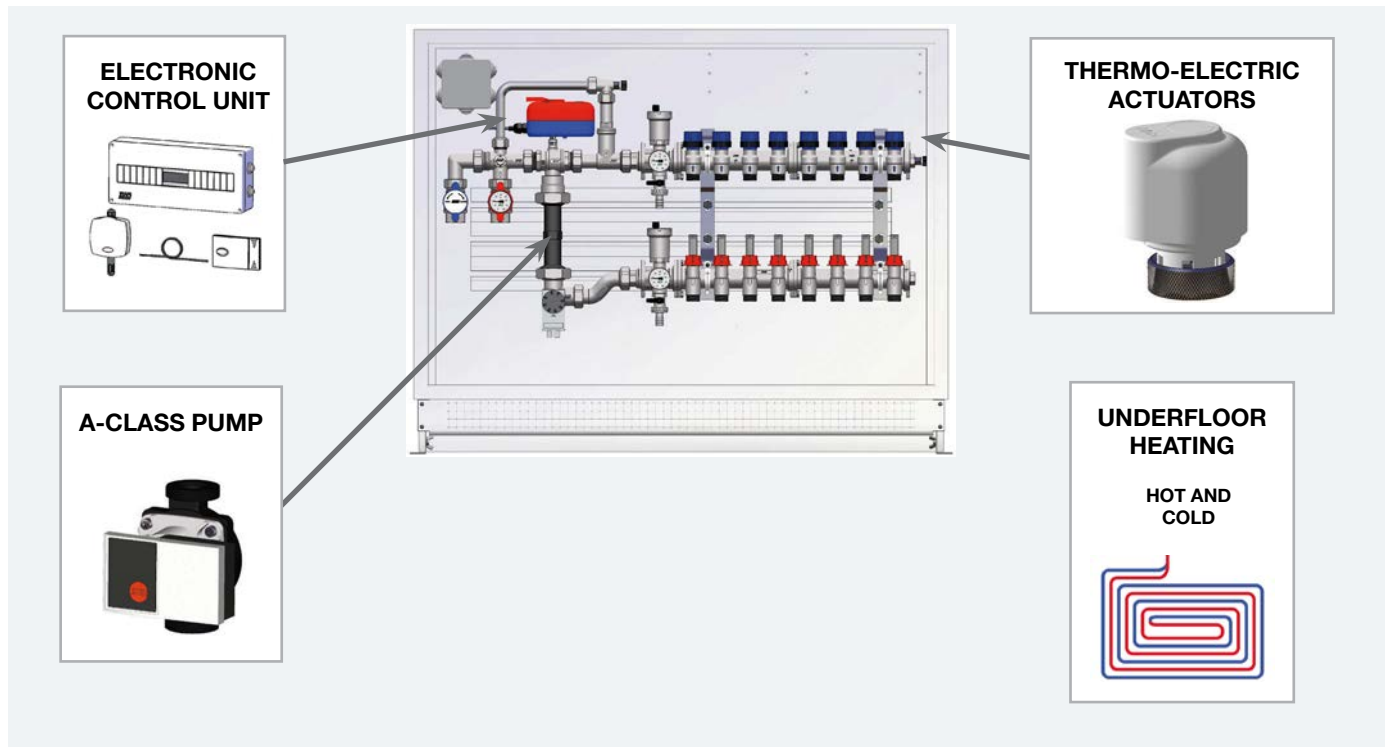
The set point regulating unit allows to have a heating system with two temperature levels. The high temperature works with the heat generator pump and is suitable to be connected to the radiators. The set point mixing group allows to reduce the temperature until the desired value is reached and to distribute the fluid through a pump to the manifolds connected to the underfloor heating. The system can be divided in different areas by installing thermo-electric actuators on each manifold outlet.





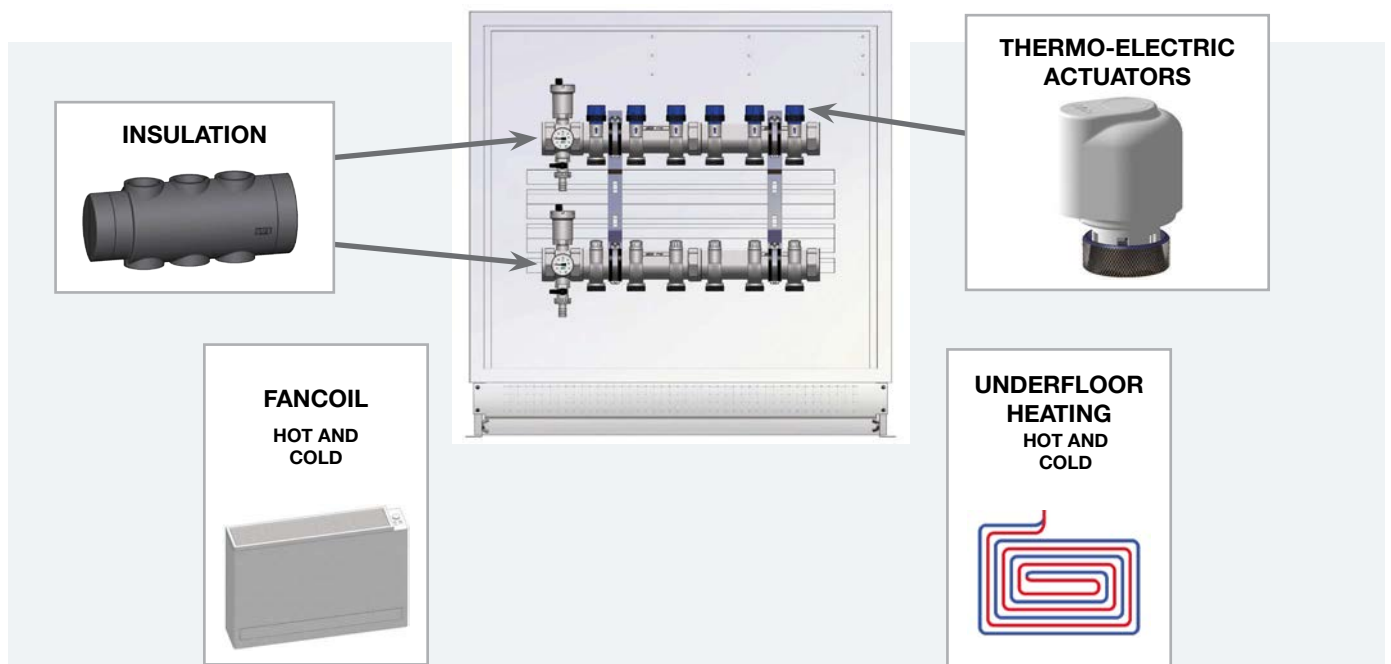
## Modulating/regulating units

The modulating/regulating unit allows to have fan coils or underfloor heating and/or cooling system. The modulating mixing group is equipped with a 3-point mixing valve and a dedicated pump which has to be connected to an electronic control unit. The system can be divided in different areas by installing thermo-electric actuators on each manifold outlet. Insulation shells to cover the manifolds are available, if needed.



## 1" 1/2 Thermo-electric manifolds

These large size manifolds have been designed for industrial applications in case of heating and/or cooling systems. They are suitable to connect fan coils or underfloor systems. The system can be divided in different areas by installing thermo-electric actuators on each manifold outlet. Insulation shells to cover the manifolds are available, if needed.



## Water hammer arrester

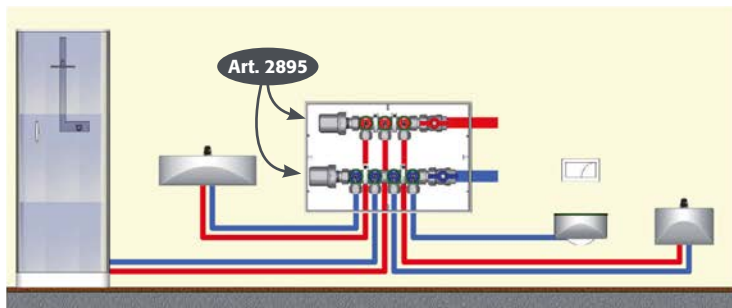
Art. 2895



WRAS  
APPROVED  
PRODUCT



Art. 2896



Art. 2896

The water hammer arrester can be installed on the distribution manifolds or below the wash-basin.

The water hammer arrester for domestic services mitigates the effect of overpressure, preserving the correct functioning of the components in the system. The device can withstand a maximum pressure of 50 bar and a maximum working temperature of 90°C.

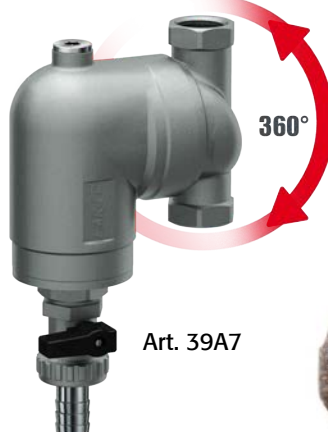
## Swiveling strainers



Art. 39A5



Art. 39A4

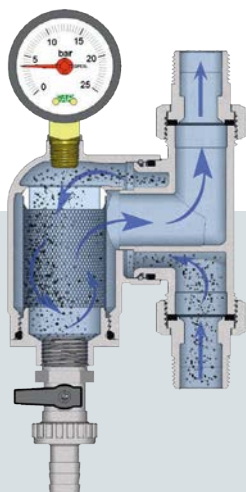


Art. 39A7

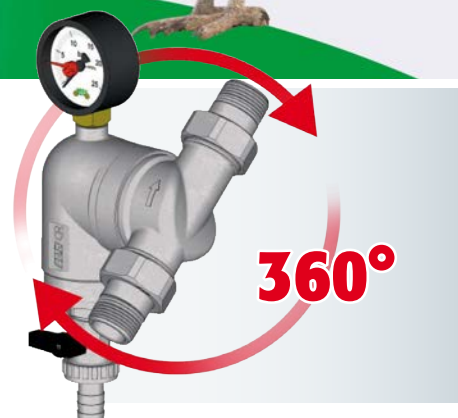
The FAR swiveling strainers guarantee an accurate water filtering, thus preserving the functioning of installed components. The input and output connections can rotate to adjust the strainer position according to the plant requirements.



*360° lookaround*



The incoming water follows a guided path entering the filtering net from above and then moves in a radial direction, getting rid of impurities. The particles thus stick to the net or fall down, accumulating near the drain valve.



**360°**

# PRESSFAR

## The universal solution



### Brass Body

- Internal machining which allows full bore flow and minimal pressure drop.
- Profile designed with safety calibration.

### TEA® Surface Treatment

- To grant high water quality.
- Corrosion protection in underfloor systems.



### Flat EPDM Washers

- Larger contact surface to grant a better seal.
- Designed to avoid the possibility to be damaged while inserting the pipe.

### Plastic ring in different colors

- Pipe thickness easy to identify.

### Stainless steel bush

- Long-lasting seal.
- Pipe position easy to check.



The universal system of press fittings for multilayer pipes, suitable for pressing with three different profiles: TH-U-H



RING COLOR	MULTILAYER PIPE SIZE									
GREY	14x2	16x2	18x2	20x2	-	26x3	32x3	40x4	50x4	-
WHITE	-	16x2,25	-	20x2,25	-	-	-	-	-	-
GREEN	-	-	-	20x2,5	25x2,5	-	-	40x4,5	50x4,5	63x4,5

## 2-piece Fittings

A new line of 2-piece fittings in brass, to simplify and speed-up the installation of the various components.

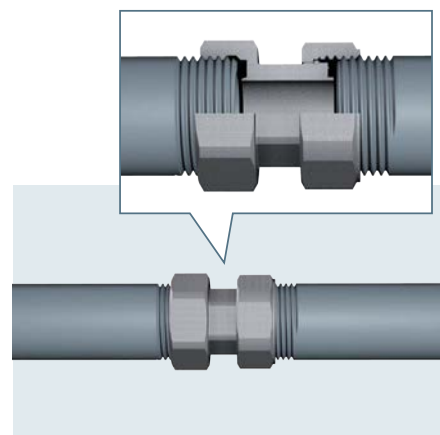
Available in MF or FF versions, from 1/2" to 2" sizes, with swivelling nut and matching threads or with swivelling nut and reduced threads at both ends of the fitting.

To ensure the seal, the fitting shape allows the use of flat EPDM gaskets or normal sealing systems such as hemp, pte, etc. depending on requirements.

Art.8313-8323



Art.8311-8321





FAR - Factory in Gozzano (NO)



FAR - Factory in San Maurizio d'Opaglio (NO)



FAR - New factory in Gozzano (NO)

